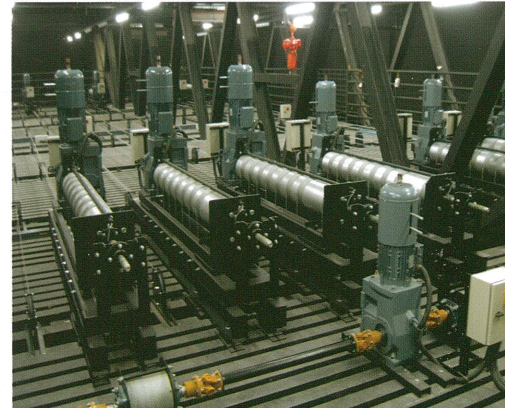
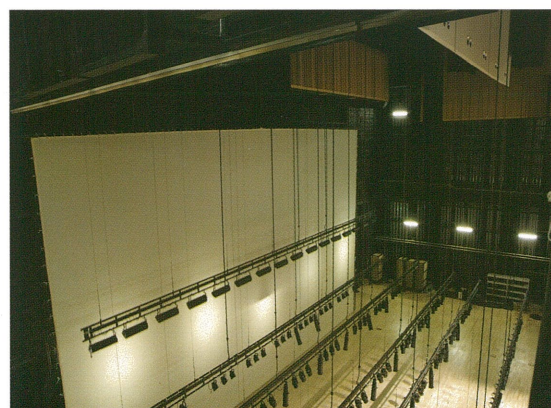
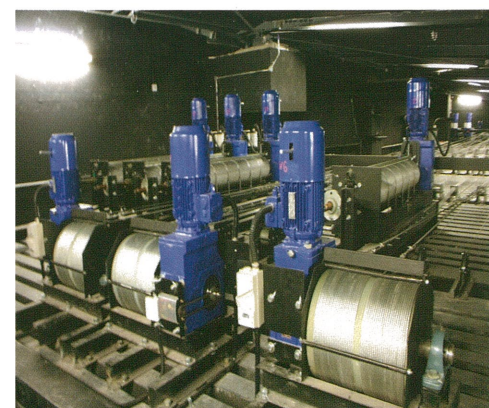
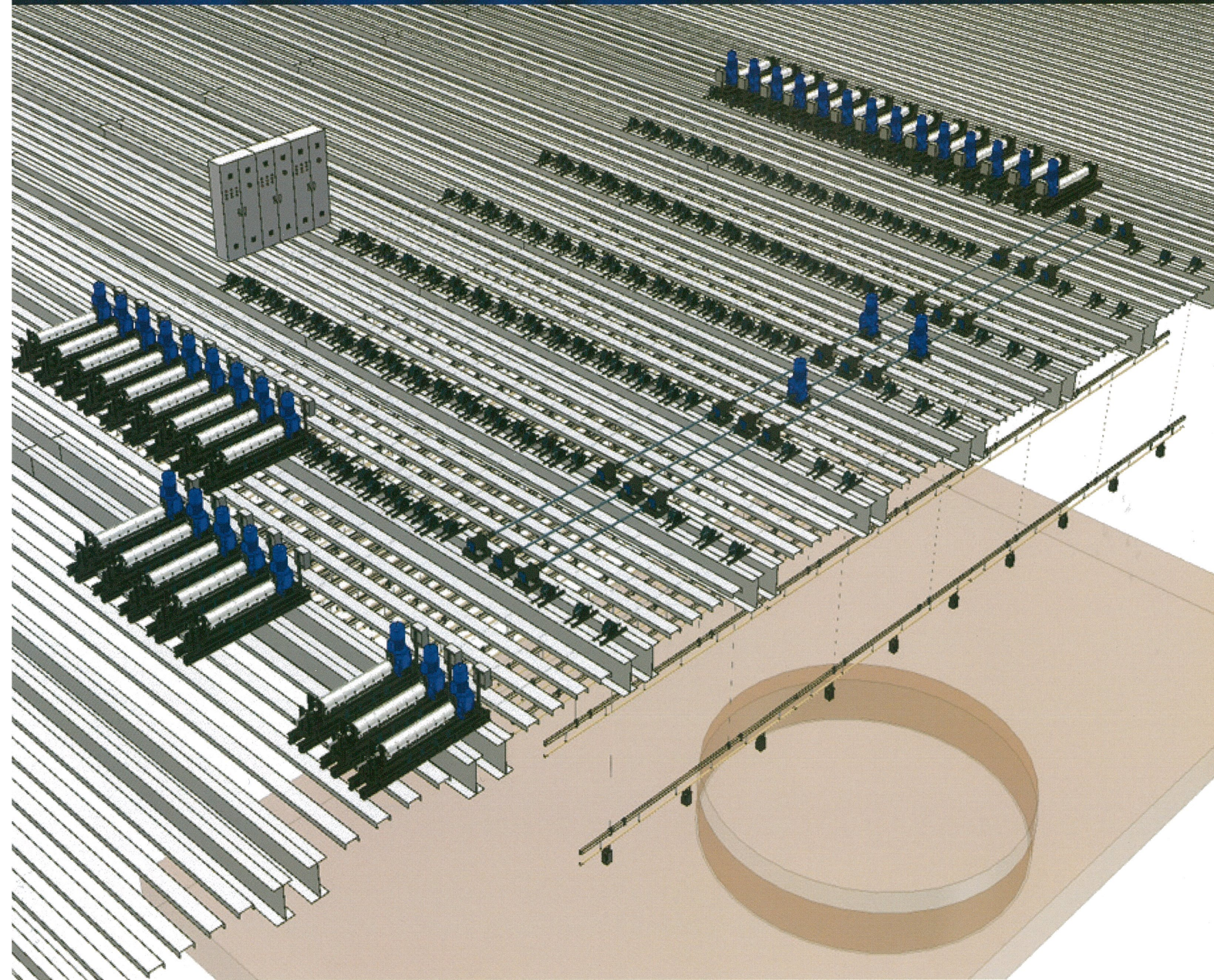
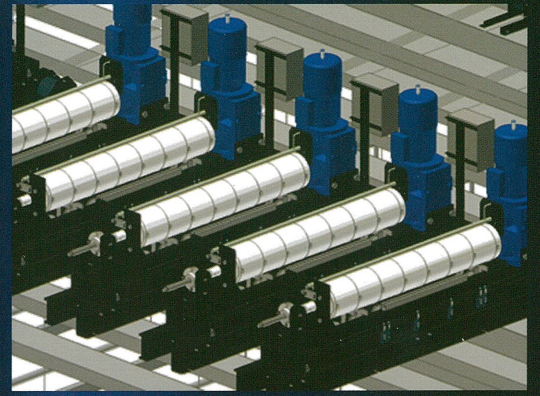


NORDEC

Stage Drum Winch
Bar Hoist Winch
Pile-Up Winch



NORDEC Stage Drum Winch

General

NORDEC Stage Drum Winch has been designed specifically to meet the special and rigorous requirements for current theatrical scenery and equipment flying. The NORDEC winch is cost effective, reliable and safe solution to fast, quiet and precise movement of any item up to 1000kg or more as may required.

Quality

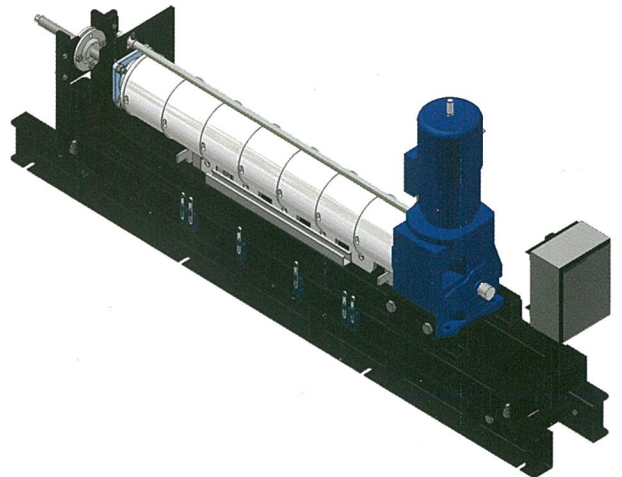
Our ISO 9001:2000 Quality Management system assures you that our design fabrication and installation are to world class standard. Each NORDEC winch is fully tested before it leaves our factory to ensure minimum site installation and commissioning time.

Development

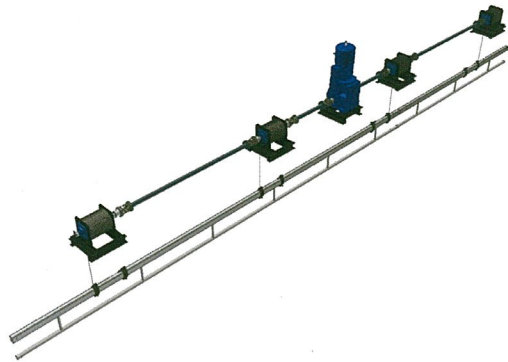
The NORDEC winch of today has been developed and constantly improved since 1997 to point where it is equal in all respects to other similar winches found on the market. The NORDEC winch is able to achieve the working parameter demanded by today's show designers and we pride ourselves to be in the position of offering a first class product.

Design and Safety

The design of our standard NORDEC winch flying system is based on the current requirement to move loads of up to 1,000 kg at variable speeds from 0.01m/s up to 1.5m/s and above. The NORDEC winch allows for set spacing at 200mm centre but set spacing can be varied to suit any required distance. For best possible operating conditions the winches should be positioned in an enclosed motor room above or at the fly tower grid floor level. The number of lines will depend on the length of suspension bar but is normally between 6 and 8 suspension lines per set. Vertical travel of the bar can be provided to suit any height of stage grid above the performance floor space. All required safety features are included as standard, these being double brakes, top and bottom end of travel emergency limit stops and cross groove detection.



NORDEC Stage Drum Winch

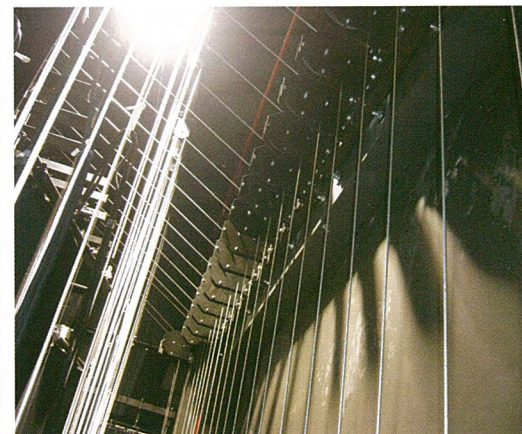
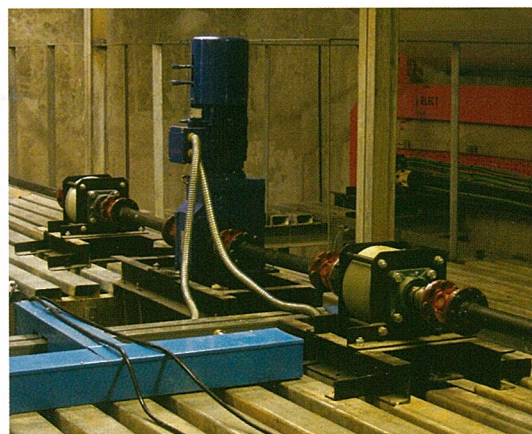
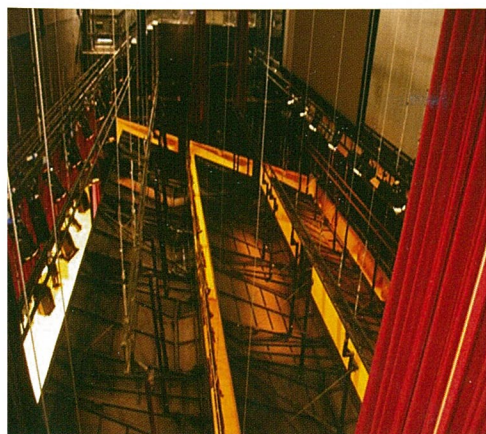
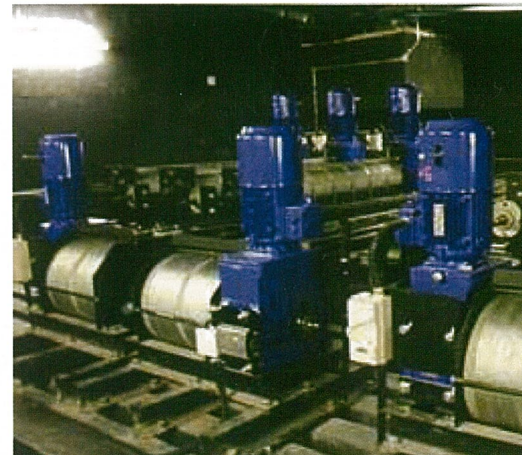


Component

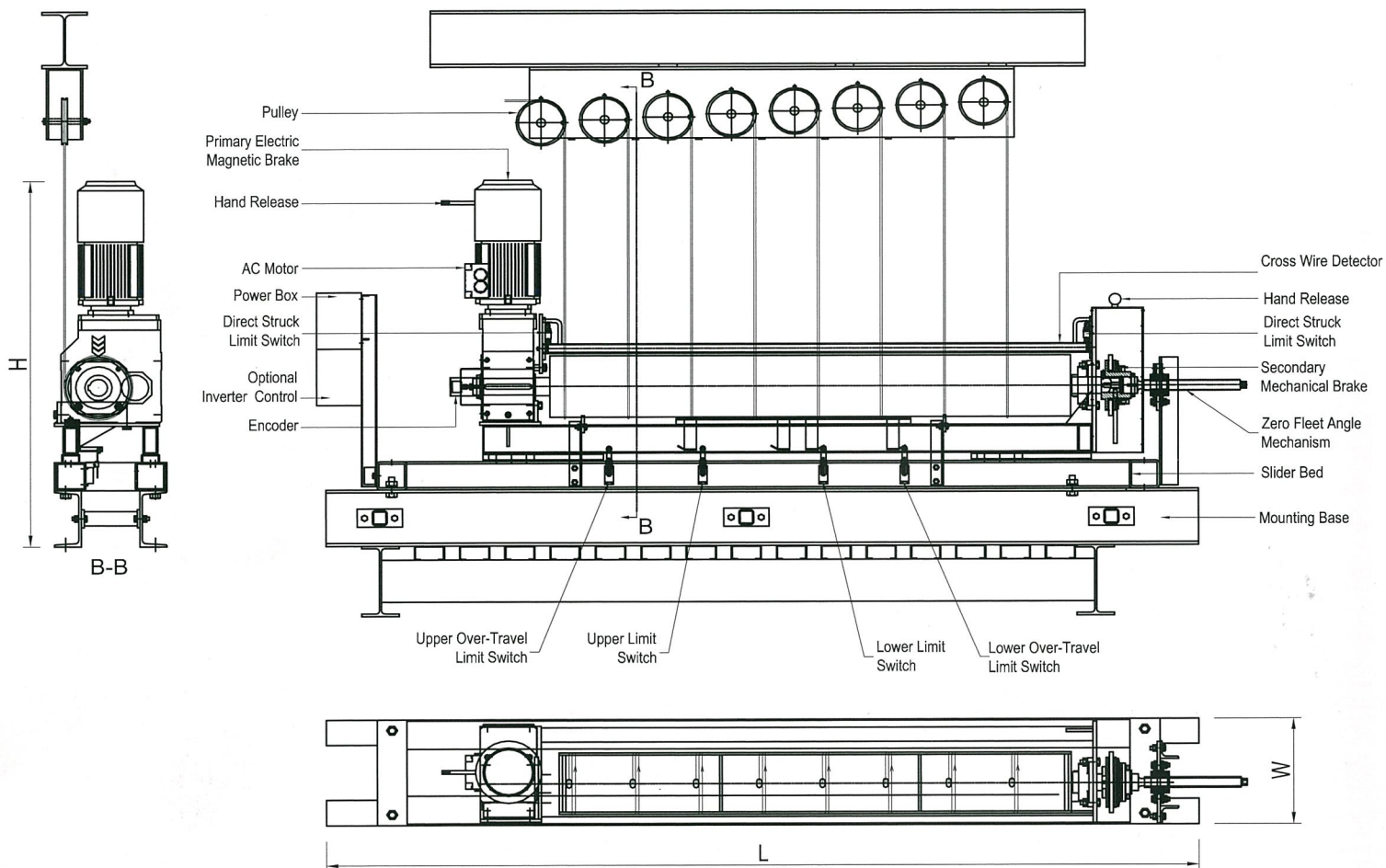
The Standard NORDEC winch comprises of purpose designed components using the best in modern materials. We work with reputable western European motor and gearbox manufacturers to provide the custom engineered gear motor for the winch, and because there are a variety of similar but different applications for a power flying system, we can provide various configurations to suit your specific requirements.

Enhancements

We can provide several refinements to the standard NORDEC winch which may be required for specific applications such as: Load Cells with monitoring software for sensing any abnormal operation such as stack rope, broken lines or overload conditions. The load cell can also monitor actual weight applied to the lifting bar. Acoustic isolator mounts. Zero fleet wire rope drums in either horizontal or vertical arrangement.



NORDEC Stage Drum Winch



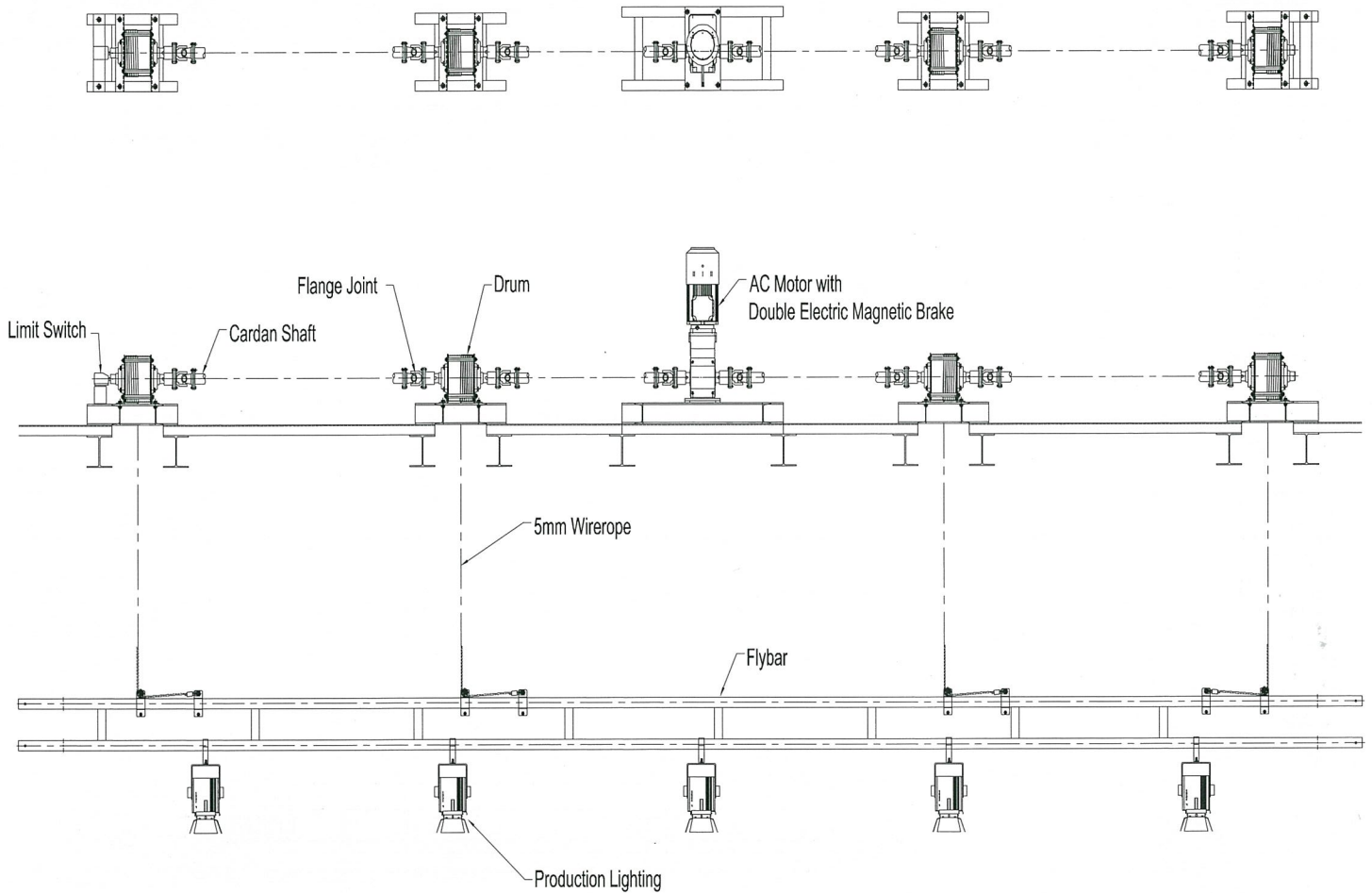
SPECIFICATIONS

Model	Maximum Load (kg)	Linear Speed (mm/sec)	Motor Power (kw)	Winch Drum Dia. (mm)	Number of Suspensions	Dimension (mm)		
						Length (L)	Width (W)	Height (H)
NORDEC-D-1000	1000	300	5.5	219	8	1500	375	1300
NORDEC-D-750	750	300	4	219	8	1500	375	1300
NORDEC-D-500	500	300	4	219	6	1125	375	1300

-All rights are reserved.

-Specifications and dimensions are subject to change without notice.

NORDEC Bar Hoist Winch



SPECIFICATIONS

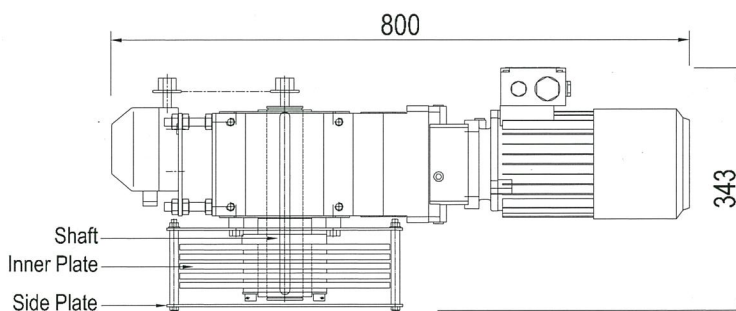
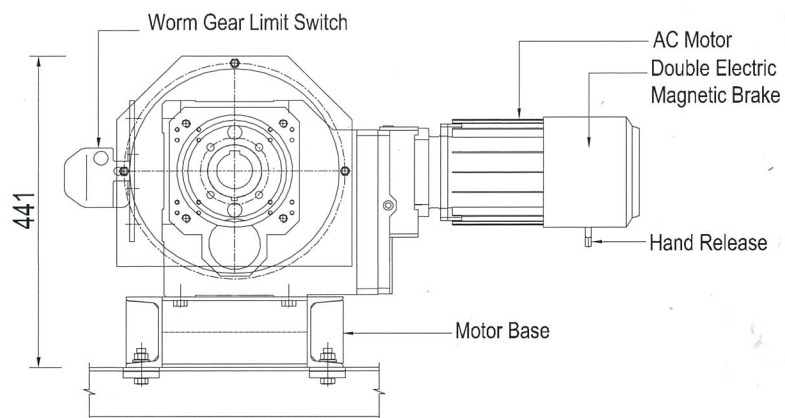
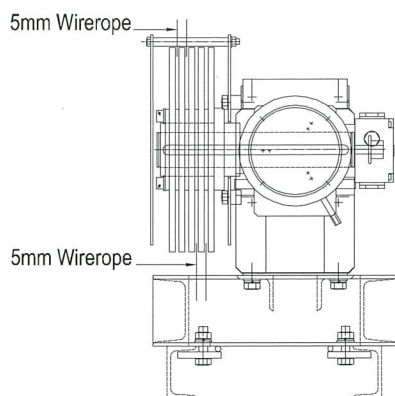
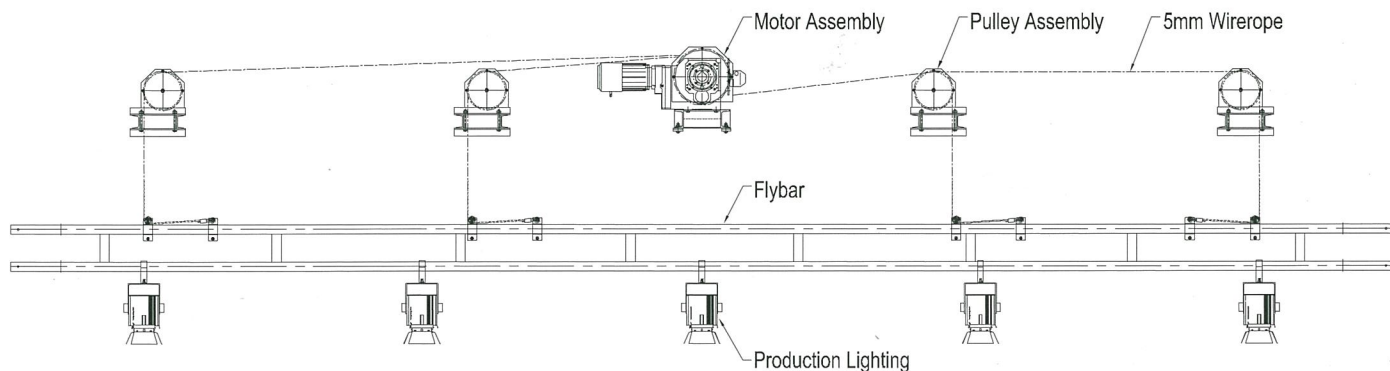
Model	Maximum Load (kg)	Linear Speed (mm/sec)	Motor Power (kw)	Winch Drum Dia. (mm)	Number of Suspensions
NORDEC-B-1000	1000	300	5.5	219	4 to 6
NORDEC-B-500	500	300	4	219	4 to 6

'NORDEC' Bar Hoist Winch

-All rights are reserved.

-Specifications and dimensions are subject to change without notice.

NORDEC Pile-Up Winch



SPECIFICATIONS

Model	Maximum Load (kg)	Linear Speed (mm/sec)	Motor Power (kw)	No. of Suspensions
NORDEC-P-500	500	300	4	4
NORDEC-P-300	300	300	2.2	4

'NORDEC' Pile-Up Winch

-All rights are reserved.

-Specifications and dimensions are subject to change without notice.

NORDIC Stage Control System

Rigging Display

AUTO ON

FLY SYSTEM EMERGENCY

Curtain Open/Close Controls

ALL STOP


Curtain Open/Close Controls																						
MC1						MC2						MC3										
Main Curtain						Intermediate Curtain						Backdrop Curtain										
SIDE TAB #2	SIDE TAB #1	BACKDROP CURTAIN	CYCLORAMA	SCENERY BAR 6	SCENERY BAR 5	LIGHTING BAR LX7	DRESSLEG #2	LIGHTING BAR LX6	LIGHTING BAR LX5	FIXED REAR PROJECTION SCREEN	BORDER #5	INTERMEDIATE CURTAIN	SCENERY BAR 4	LIGHTING BAR LX4	SCENERY BAR 3	DRESSLEG #1	LIGHTING BAR LX3	SCENERY BAR 2	MAIN CURTAIN	LIGHTING BAR LX2	SCENERY BAR 1	LIGHTING BAR LX1
23.20	23.20	23.19	23.09	23.25	23.24	12.50	23.19	11.01	10.98	3.59	3.14	23.18	22.73	11.48	19.62	23.20	11.60	23.20	23.20	11.68	23.20	23.20
M 23	M 22	M 21	M 20	M 19	M 18	M 17	M 16	M 15	M 14	M 13	M 12	M 11	M 10	M 9	M 8	M 7	M 6	M 5	M 4	M 3	M 2	M 1

Touch Screen Control System

Control System

A complete integrated solution the NORDIC control system has been developed to provide a cost effective means of operational control of the NORDEC winches. The NORDIC is based on internationally accepted industry standard components which have a proven reliability over many years of use. NORDIC control system is relatively easy to learn and operate but retains the sophistication and built in safety aspects which are required and necessary to control a Theatre Power Flying system to ensure the total safety of actors and the theatre operational staff.

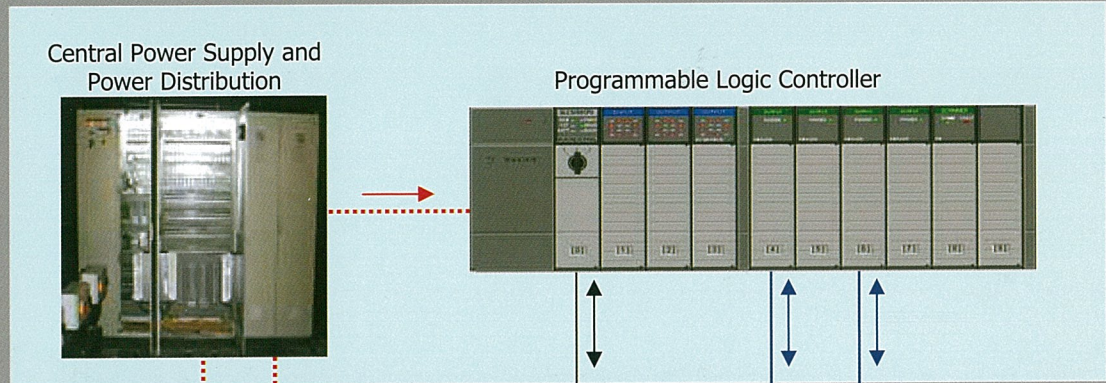
NORDIC control system can be expanded to control other equipment such stage floor machinery, lifts, revolves, wagons, curtain tracks, acoustic drapes, power operated acoustic shells and other flying systems.



Nordic Control Station

NORDIC Stage Control System

Central Process Control System



Incoming Main Voltage

Signal and Data-Communication

Nordic Control Station

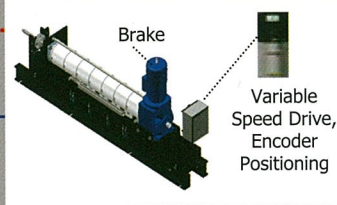


Remote Operating Panels

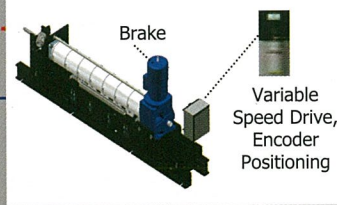


Future Expansion

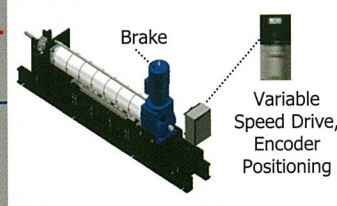
Winch No.1



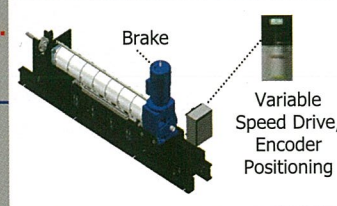
Winch No.2



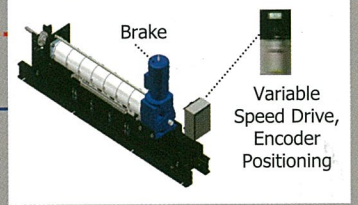
Winch No.3



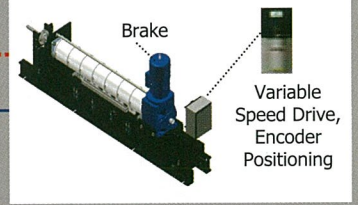
Winch No.4



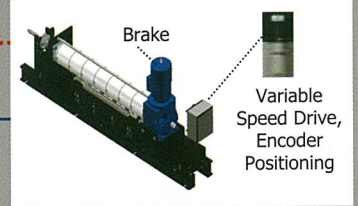
Winch No.5



Winch No.6

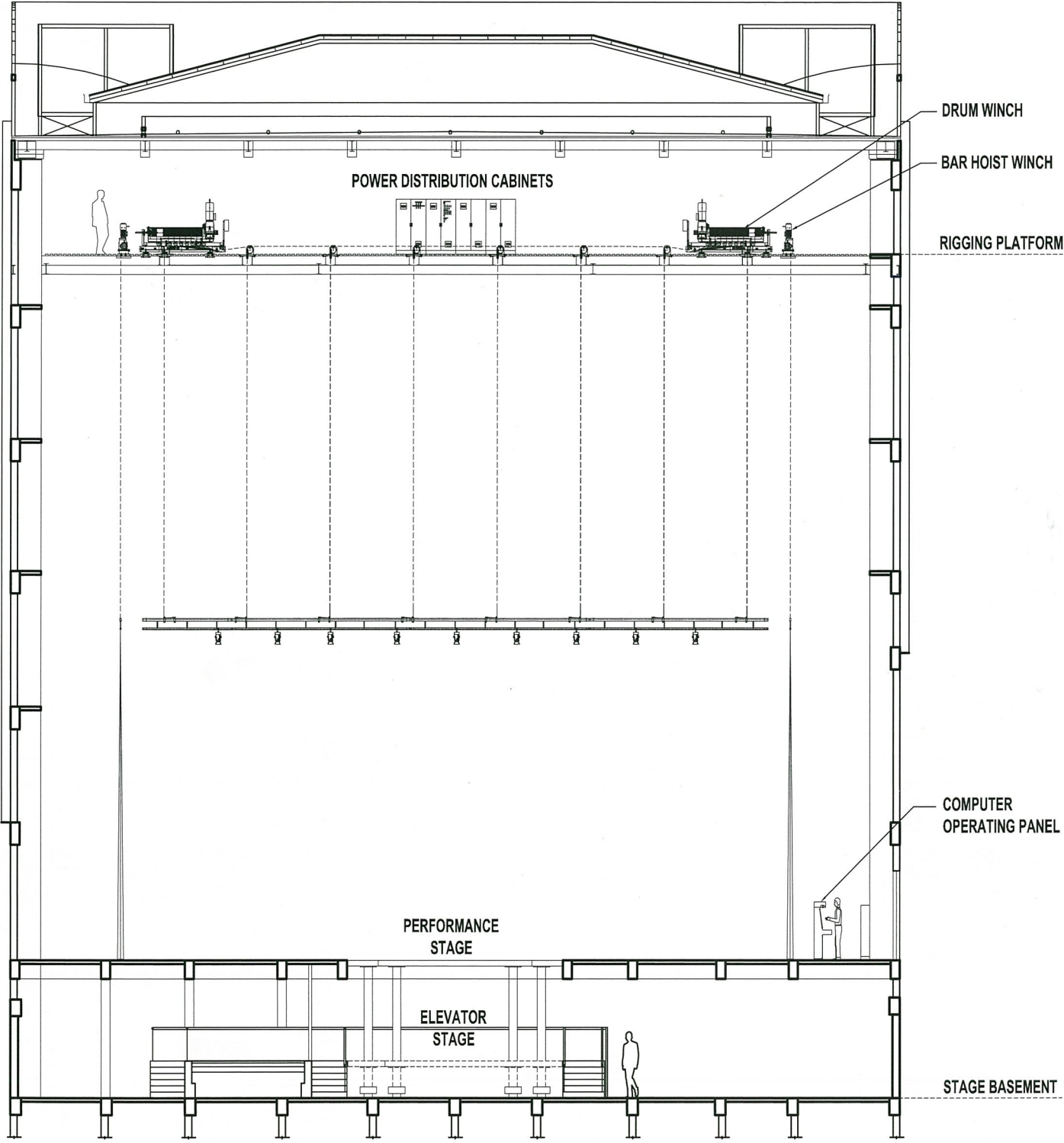


Winch No.7

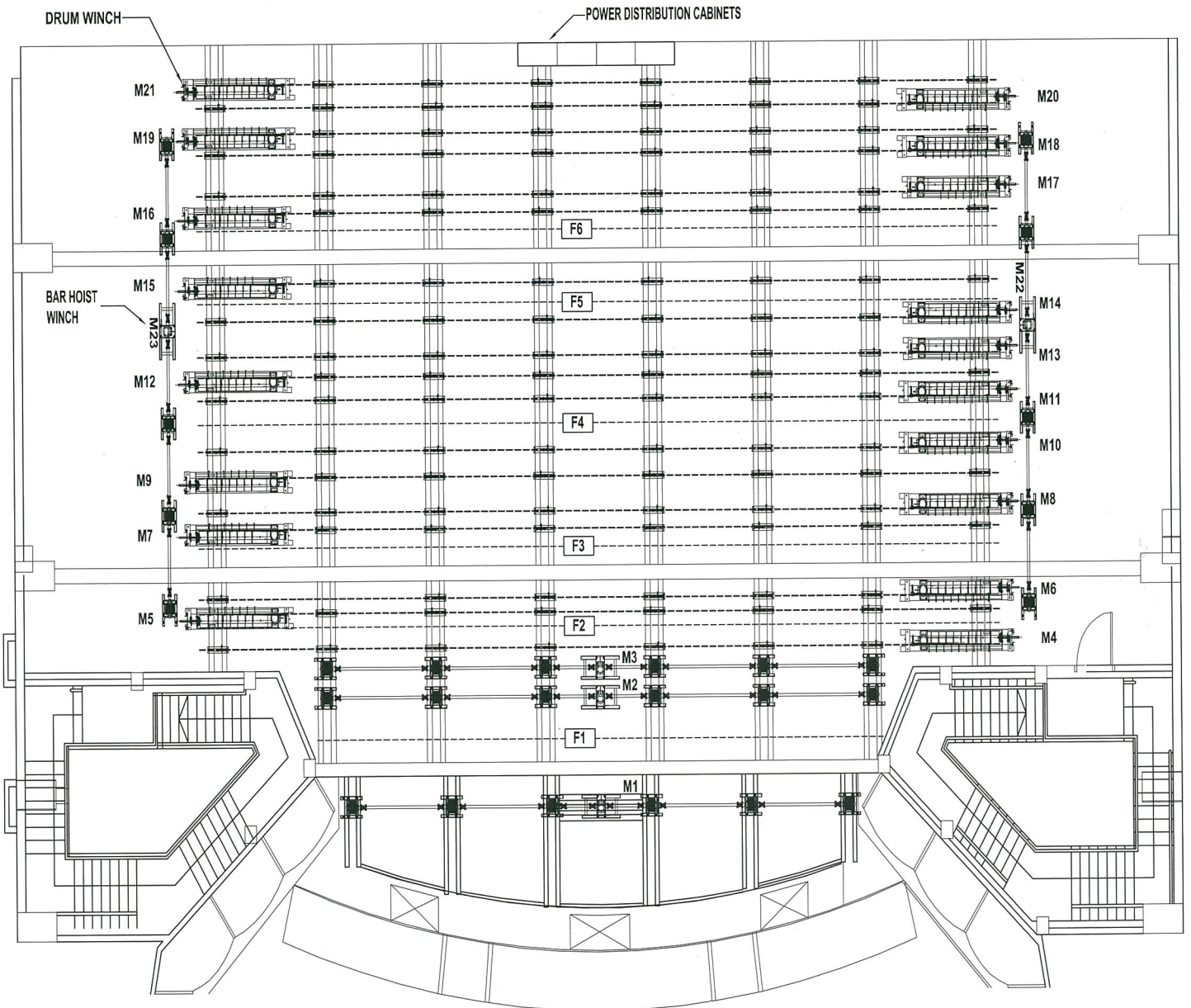


Additional Winches

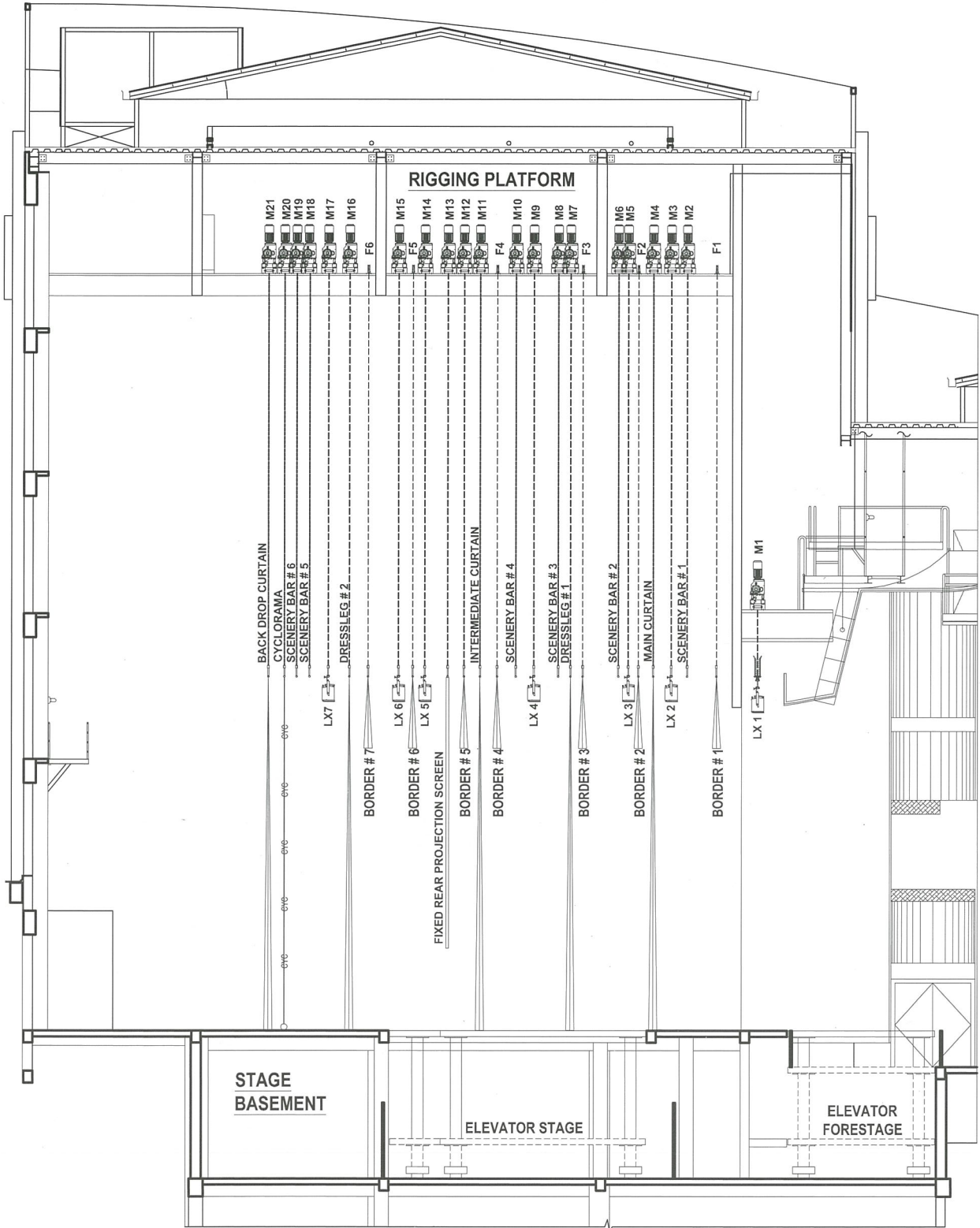
Front View



Top View



Side View



WINCHES INSTALLATION

2003	ITE- Simei	Over Stage Machinery, 51 Nordec Winches
2004	Nanyang Academy of Fine Arts	Over Stage Machinery, 42 Nordec Winches
2005	Republic Polytechnic	Over Stage Machinery, 25 Nordec Winches
2006	LASALLE- College of the Arts	Over Stage Machinery, 28 Nordec Winches
2007	Trinity Christian Centre	Over Stage Machinery, 41 Nordec Winches
2007	Anglo Chinese Junior College	Over Stage Machinery, 16 Nordec Winches
2008	Fusionopolis Theatre	Over Stage Machinery, 9 Nordec Winches
2008	Myanmar Radio Television (MRTV)	Over Stage Machinery, 22 Nordec Winches

OTHER PRODUCTS

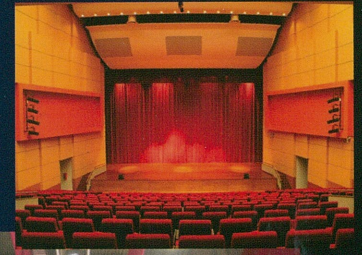


Orchestra, Stage Lift & Turntable

- Spiral Lift
- Rigid Chain Lift



Acoustic Panel



Motorized Draperies & Tracks



SPECIALISTS IN STAGE AND THEATRICAL EQUIPMENT



Siong Ann Engineering Pte Ltd

61 Joo Koon Circle, Singapore 629074

Tel: +6562681828, Fax: +6562683337

Website: www.siongann.com

Email: info@siongann.com